

Duotour



The most versatile revolving door

The Duotour is a two wing revolving door with spacious compartments that easily accommodate large objects such as shopping and luggage trolleys, stretchers and wheelchairs. It provides simple, bi-directional, straight-line access and has a high capacity throughput of people. The unique design of the Duotour turns an ordinary entrance into an environmentally friendly and attractive one.

Central door wings

Available in three models, the Duotour is the most versatile high capacity entrance solution available. Incorporating central sliding or swinging doors within the two wing door set, the Duotour can be used as a fully automatic revolving door, an automatic sliding entrance or left completely open as traffic flow or special circumstances dictate. Showcases for displays

and advertising are available at each end of the door set on the AC and AS models, without jeopardising compartment space or capacity. This option makes the Duotour a popular entrance solution with supermarkets, hotels, banks and airports. However the Duotour is also well suited to hospitals and many types of public buildings.

Flexible design

The Duotour has many options in design and surface finish and can be manufactured to match or complement a wide variety of interiors and facades.

Finish

The frame and door sets can be finished in powder coated or anodised aluminium. Alternatively, they can be clad with stainless steel, bronze, brass or other metals.

Construction

The Duotour is available with either solid or glass curved walls. Solid walls are constructed from high grade aluminium sandwich panels. Glass walls provide a more spacious and transparent feel and are constructed from slim aluminium profiles with laminated glass. The door set is constructed from aluminium profiles, horsehair weather strips around the edges and laminated glass.

The Duotour's ceiling is made from sound insulated folded aluminium panels.

Options

- Push-button temporary low speed
- Authorised night entry
- Manual or automatic locks
- Glass protection sheets
- Ceiling lighting with low energy or halogen lamps
- Plywood, stainless steel or aluminium dust covers
- Roof covering for outside use
- Air Curtains
- Floor mats



Climate control

The 'always open, always closed' nature of our revolving doors lets you create a stylish and energy efficient entrance to your building, allowing users to move freely in and out, while creating an effective barrier between the weather, pollution and dirt on the outside and the environment on the inside. This makes it possible for you to maintain the optimum climate conditions inside your building.

Cost savings and comfort

A Duotour allows you to create a comfortable environment, even close to the entrance, without the need for a separate draught lobby, enabling maximum use of floor space. The Duotour helps to prevent energy loss, making it an environmentally friendly solution that will help you save considerably on costs for heating and cooling your building. This means that often a Duotour will pay for itself many times over during its life span.

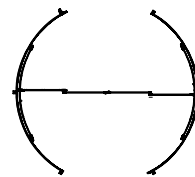
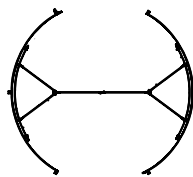
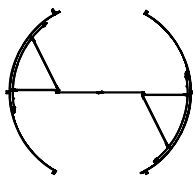
'The Duotour is without doubt the most versatile entrance money can buy'

Duotour AS

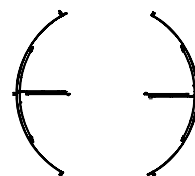
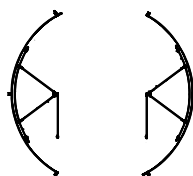
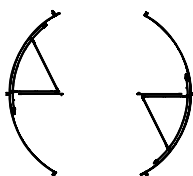
Duotour AC

Duotour AT

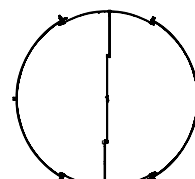
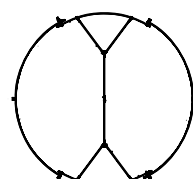
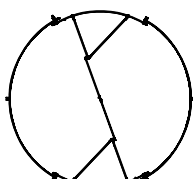
Rest Position



**Escape/
Large object
passage**



**Night/Winter
position**



Safety features

At Boon Edam, we put safety first. We know that user safety and emergency exit requirements are important when designing your entrance. That is why our products are created with these demands in mind. All Boon Edam products are designed to comply with or exceed safety standards and regulations.

User safety

With its extensive array of safety features, the Duotour is the safest entrance solution you can find.

1. **Safety Rail Bent Wall (SRB)**
Active safety rubber buffers to prevent persons and objects being trapped between the rotating door wing (leading edge) and the stationary bent wall (leading mullion).
2. **Safety Rail Turning Wall (SRT)**
Active safety rubber buffers on the rotating door wings (leading edges). The Duotour will stop immediately when the buffers are activated.
3. **End Buffer Sensor (EBS stationary and rotating)**
This sensor prevents people being hit by the rotating door wing when they are trying to enter the Duotour at the last moment.
- 4&5. **Horizontal Boon Sensor (HBS slow and stop)**
These two sensors are safeguarding the area in front of the door wings and the showcases. If the door wing or showcase is nearing a person, the door will first slow down and if the door comes even closer, it will stop.
6. **Emergency stop**
When activated, it will immediately stop the Duotour.
7. **Showcase Boon Sensor (SBS, optional)**
The end stile of the curved showcase, directly underneath the rotating rubber safety buffer (SRT), is provided with an infrared sensor. This sensor is safeguarding the area directly in front of the end stiles of the showcases at floor level.
8. **Top Rail Sensor/ Side Wing Sensor (TRS/SWS, optional)**
This sensor is installed in the ceiling to safeguard the leading surface of the rotating door set. Upon activation the door set will come to a full stop. In sliding mode this sensor operates as SWS.

Side Wing Sensor (SWS, optional)

The movement area of the sliding door is protected by a special sensor, which gives an audible signal to warn people who are standing between the back edge of the sliding and the rotating curved wall.

9. Threshold Sensor (THS, optional)

This sensor is placed in the ceiling directly above the sliding door and protects the throat opening of the sliding door as well. When the THS is activated (in sliding door mode only) the sliding door will reopen again.

10. Intelligent Speed Control

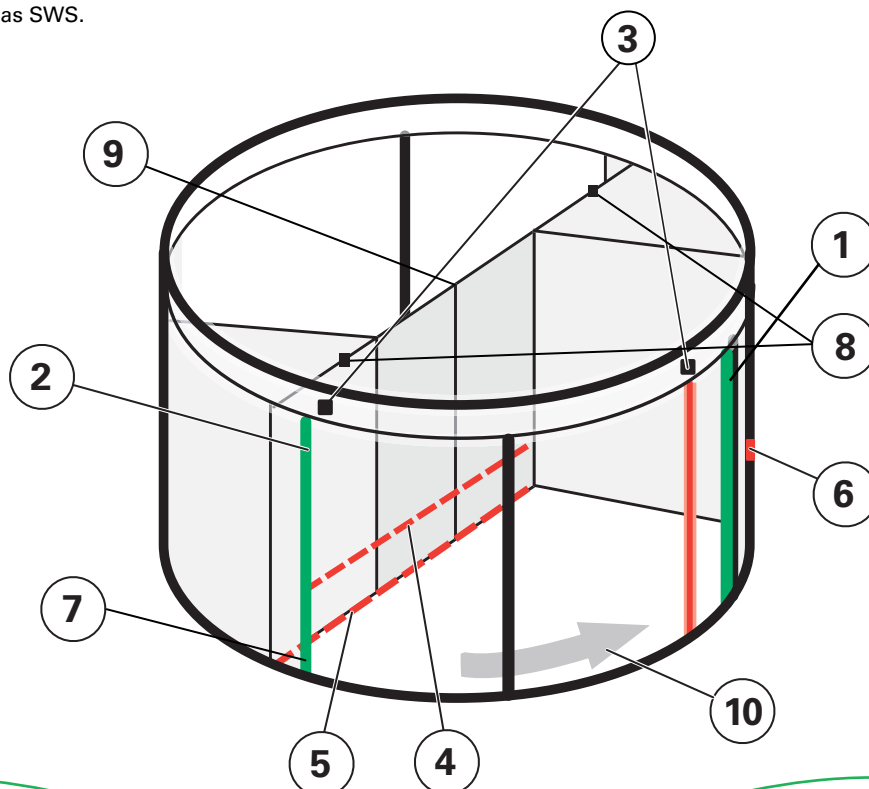
Limits the maximum rotation speed. The speed is factory set and depends on door diameter.

Emergency escape

An emergency escape is provided via the central doors. In the event of an emergency the door set will automatically rotate to the escape position and, depending on the model type, the centre doors will slide open or the swing doors will unlock for manual opening. If the main power fails the monitored battery back up will take over. Unlike conventional revolving doors, the lack of centre column means that a totally clear opening is provided. This facility can also be used to provide automatic venting for smoke clearance where required.

Night security

The Duotour is provided as standard with electrical brake units. Parking the door set in the night position closes the door off completely, as the curved end walls cover the throat opening. An access control system can be integrated, allowing authorised users to enter the building at night.



Standard dimensions and theoretical capacity

D Diameter (mm)	C Throat Opening (mm)	E Installation width (mm)	F Doors width (mm)	Max. Persons/ Segment	Capacity/ minute ¹	Type of Traffic	Escape route ²	Disabled Access
AS / AT models (sliding door) and AC model (break-out swing door)								
3600	1654	3804	1439 ³ / 1654 ⁴	5	2 x 40			
4200	1954	4404	1739 ³ / 1954 ⁴	7	2 x 48			
4800	2254	5004	2039 ³ / 2254 ⁴	9	2 x 54			
5400 ⁵	2554	5604	2339 ³	11	2 x 59			

¹ Maximum capacity per minute indicates how many people can pass through the Duotour in both directions under normal conditions

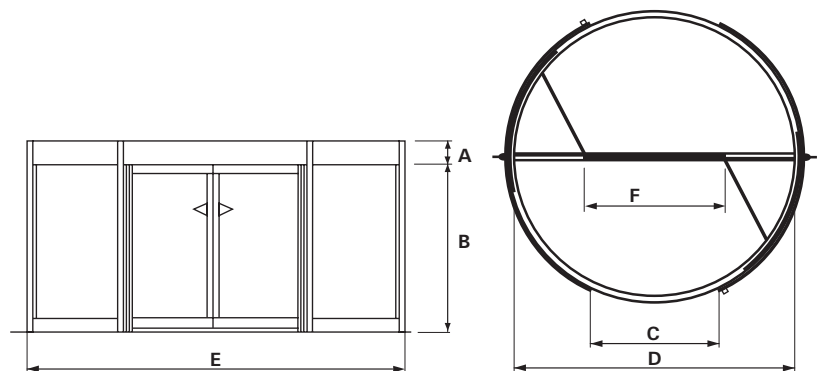
² Escape route requirements are subject to local regulations

³ Sliding doors width (AS&AT models)

⁴ Swing doors width (AC model)

⁵ Only AS model with aluminium finish

Diameter	A Canopy height (mm)	B Height under canopy (mm)
3600 - 4800	300 - 600	2200 - 2600
5400	300 - 600	2200 - 2300



Technical Specifications

Power supply	200-240 VAC, 50/60 Hz
Motor	AC motor, 3-phase
Power consumption	
Operating	250 W
Stationary	45 W
Lighting	144 W (LED) 290 W (halogen)
Ambient temperature	-15°C to +50°C
Fuse	External power supply fused with 16 A Slow

High Quality

At Boon Edam, we take quality seriously. Quality of the materials we use, quality of our employees as well as quality of our partners. As with all Boon Edam products, the Duotour is manufactured to the highest standards, is CE approved and complies with international regulations and guidelines, including but not limited to: the Machine Directive (2006/42/EC), the EMC-directive (2004/108/EC), the Low Voltage directive (2006/95/EC) and European Glass standard EN356.

Many Boon Edam revolving doors meet the requirements of the Dutch Council of the Chronically Ill and the Disabled as being accessible for disabled people.



Distributor