

# partitioning systems

## glasswall operable partitions





## typical applications

GLASSWALL is ideally suited to applications where a full uninterrupted opening is required during business hours and a physical barrier as opposed to a visual barrier is required after hours.

- ⌋ Shop Entrances
- ⌋ Banking Halls
- ⌋ Motor Dealership Showrooms
- ⌋ Cafes & Lounges
- ⌋ Restaurants
- ⌋ Executive Boardrooms
- ⌋ Hospitality Suites at Sports Venues
- ⌋ Up Market Homes
- ⌋ Anywhere Glasswall can provide anaesthetic and functional enhancement to a Building

GLASSWALL is a top hung moveable glass partition system that can be stacked away remotely to provide a clear entrance opening or closed to provide a physical as opposed to a visual barrier.

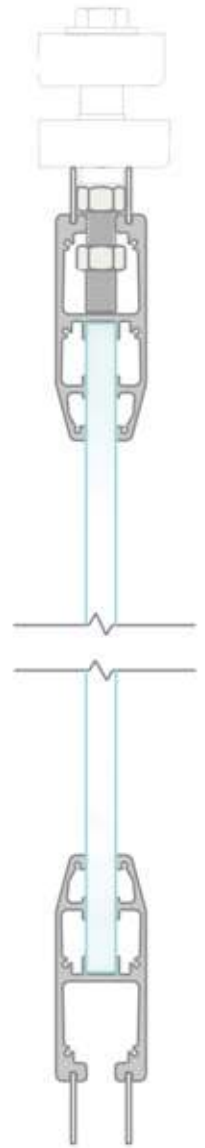
The system is unique in that the panels have no vertical glazing styles facilitating clear uninterrupted views and a distinctive elegance that only glass can offer.



## unique features



- GLASSWALL is the latest innovation utilising Hufcor's proven track systems
- Hufcor track and carrier systems are factory cycle tested and come with a two-year factory warranty
- Being top hung, the system does not require any unsightly bottom track. There are no vertical glazing stiles.
- The bottom and top rails are elegantly shaped and compliment the overall design of the system
- The system utilises 12mm toughened safety glass and is extremely safe and secure.
- The glass panes are suspended by a unique locking mechanism, which ensures the glass will never slip.
- GLASSWALL's unique locking mechanism is totally concealed when in the closed position and means there is no visible flush bolts or other unsightly locking mechanisms. (See fig 1)
- GLASSWALL panels locate in position with a unique flush mounted dust proof foot bolt cup, which ensures the floor design is not compromised in an unsightly way. (See fig. 2)
- An elegantly designed thumb lock locks the last panel in the run position. (See fig. 3)
- The pass door panel locks against the last panel using a flush mounted lock, which has been specifically designed to compliment the overall aesthetics of the system. (See fig. 3)
- The glass panels can also be used as an effective graphic tool by sandblasting or screen printing designs onto the glass. (See fig 4)
- The GLASSWALL tracks and frames can be colour co-ordinated and are anodised to a minimum of 10 microns for internal applications and 25 microns for exterior coastal applications.



1



2



3

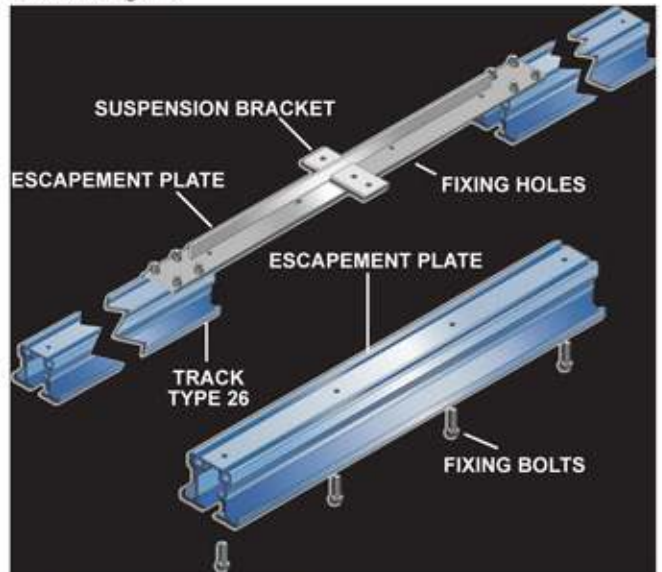


4

# track & carrier details, installation



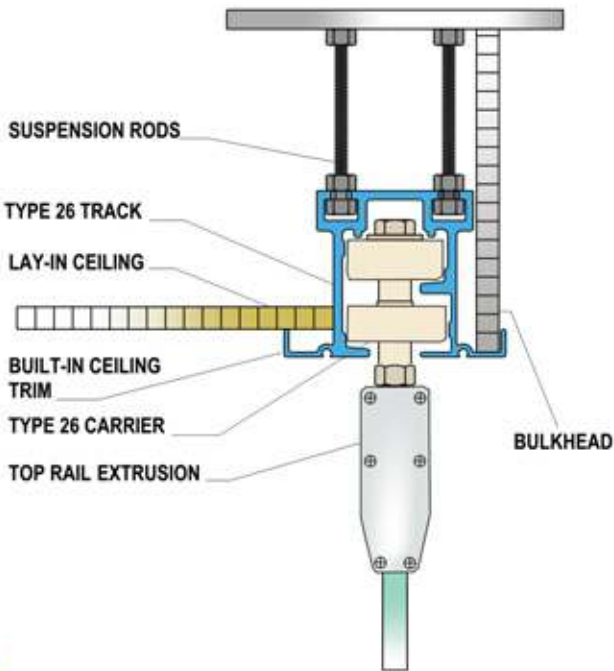
Once the track is in place and 100% level, the panels are fitted into the track by means of an escapement assembly (See fig.6).The escapement assembly is easily fitted back into position and can be just as easily removed again.



6

## escapement assembly

1. Remove fixing bolts that hold the escapement track to the escapement plate.
2. Slowly lower escapement track from escapement plate.
3. An opening is now created in order to "feed" panels into or remove them from the main track.



5

GLASSWALL is primarily a stack away glass partition. The panels are top hung on Hufcor's performance proven track and carrier system. The unique counter rotating carrier design ensures that panels move easily and quietly through intersections and around corners enabling the panels to be stored at the end of the track or in a remote storage location away from the opening. The Hufcor Type 26 track can be anodised or powder coated to any colour and has an easy leveling mechanism to accommodate for height adjustments or building deflection. The track also has a built in ceiling trim that attractively off soffit or bulkhead to track junction details. (See fig.5)





glasswall sliding doors

Top hung and bottom rolling sliding door mechanisms can be accommodated in the



Glasswall top and bottom rails providing an elegant verticla free sliding door system within a frameless or normal glass shop front.

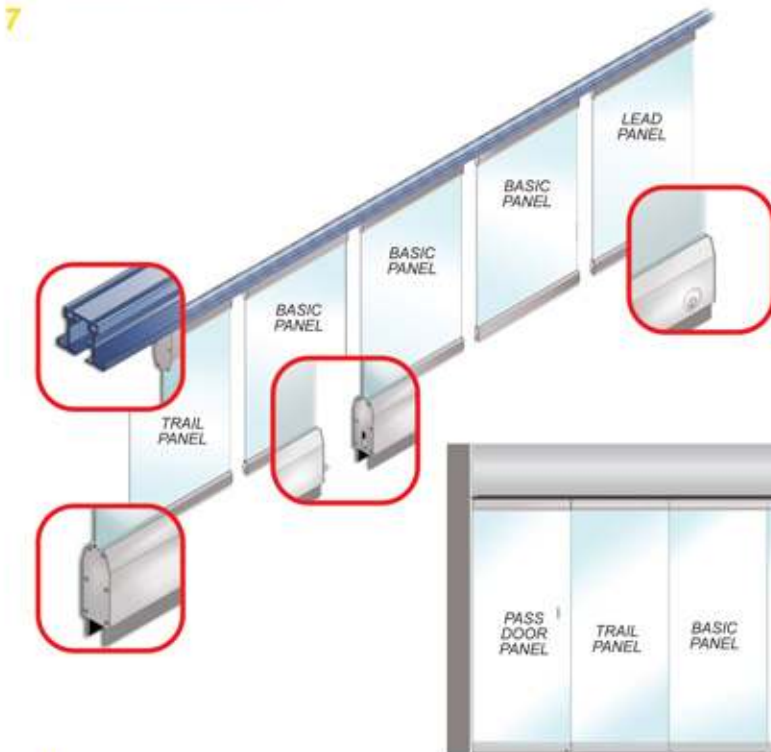
glasswall single & double action pass doors

Single or double action Floor Springs and pivots are also easily accommodated in the Glasswall top and bottom rails. This means that they can be utilised to create pass doors with no vertical stiles, which are ideal for entrances to shops.

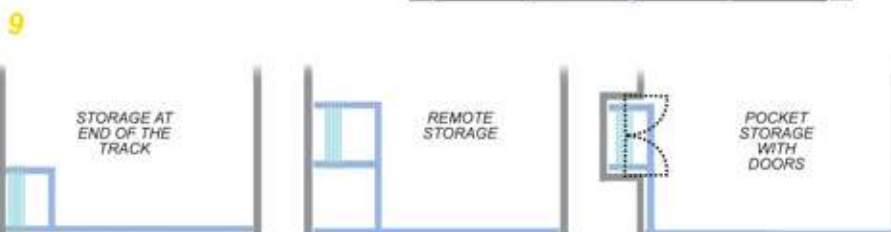


Each panel has two height adjustable carriers that ensure the panels do not sway and are easy to control. There are five basic types of panels that are used, a lead panel, a pass door panel, a trail panel, a basic panel and an anchor panel. The lead panel is always the first panel to be setup and this is followed by the required number of basic panels to suit the opening. The closing detail can either be made up of a trail panel and a pass door panel when a pass door is required. (See fig. 7)

wall to wall opening



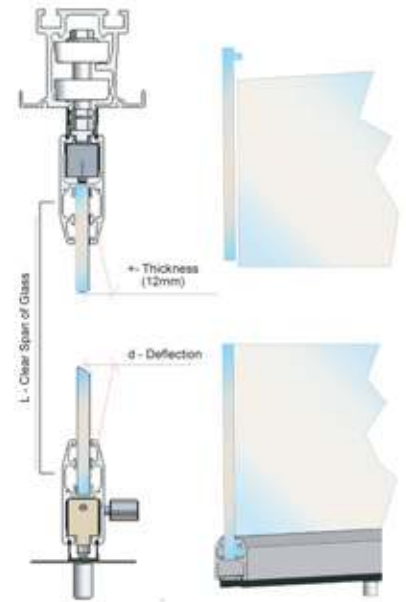
A recent unique development enables the use of in-line pass doors. This means that pass doors are no longer restricted to the end of a run and can be placed anywhere within the Glasswall. This is made possible by the anchor panel which is used to support the pass door panel. A unique patented 360 degree hinge allows the pass door panel to fold against the anchor panel for easy setup and knock down and forms a double action pass door anywhere it may be required in the run. (See fig. 8)



GLASSWALL panels can be stored at the end of the track or in a remote storage area away from the opening or alternatively in pockets with doors to conceal the panels when not in use. (See fig. 9)

# glasswall in residential application





# specifications

hufcor glass wall - tempered safety glass

## 1. Interior Shopfronts and Partitions

Height placed building	Thickness (mm)	L(max) (m)	Deflection (mm)
NOT APPLICABLE	12	3.2	6,4

## 2. External Shopfronts in Buildings (excl. Grandstands)

URBAN AREAS			
Height placed building	Thickness (mm)	L(max) (m)	Deflection (mm)
0m < HT > 7.5m	12	3.0	50
7.5m < HT > 20m	12	2.6	45
EXPOSED AREAS			
Height placed building	Thickness (mm)	L(max) (m)	Deflection (mm)
0m < HT > 5.0m	12	2.4	40
5.0m < HT > 20m	12	2.2	37

## 3. External Shopfronts in Grandstand Buildings

URBAN AREAS			
Height placed building	Thickness (mm)	L(max) (m)	Deflection (mm)
0m < HT > 7.5m	12	2.7	45
7.5m < HT > 20m	12	2.4	40
EXPOSED AREAS			
Height placed building	Thickness (mm)	L(max) (m)	Deflection (mm)
0m < HT > 5.0m	12	2.2	37
5.0m < HT > 20m	12	2.0	34

# guarantees, specifying

## how long will it last?

All parts used in the construction of Glasswall are made of Aluminium, Glass, Stainless Steel or other corrosion resistant materials. With the aid of Hufcor's extensive product testing the track and carriers have been designed to travel at least 160km. This means if you moved your panels 5m every day twice a day you should get 43 years of usage from your Glasswall.  $(160,000m / (5m \times 2) = 16,000 \text{ days or } 43 \text{ years})$ .

Hufcor Glasswall partitions come with a 2 year factory and installation guarantee. Any factory or installation defects incurred during this period will be repaired free of charge. Thereafter a variety of routine maintenance contracts are available.

To obtain optimum life and performance from your Glasswall, the system should be checked every two to three years for routine maintenance and lubrication. This can easily be arranged with your installer.

## how do i specify glasswall?

Supply and install Hufcor GLASSWALL operable partitions to suit opening (height x width) with Omni-directional panels (and pass door (optional)) in 12mm toughened glass including (natural anodised / colour anodised / powder coated) aluminium top and bottom rails suspended from Hufcor Type 26 Track including all necessary suspension system components to suit a ceiling void of (specify height of ceiling void).

- 1 Extra over for (sandblasted / vinyl) graphics to glass panels as per detail.
- 1 Extra over for (natural anodised / colour anodised / powder coated) aluminium protective edge trim to panels.
- 1 Extra over for clear PVC protective edge trim to panels.
- 1 Extra over for additional track required per metre as per detail.
- 1 Extra over for remote storage as per detail.



If you require any further information about Ifuba or any of our products we will be pleased to answer your enquiry by either: sending you further literature on areas of interest to you; arranging for one of our representatives to visit you in person or arranging for you to come and visit our showroom and manufacturing facility.

Your local distributor is:



Ifuba,  
10 Northgate Place,  
Redhill,  
Durban,  
4071

Durban  
Tel: (031) 533 6400  
Johannesburg  
Tel: (011) 704 7411

Website: [www.ifuba.co.za](http://www.ifuba.co.za)  
Email: [info@ifuba.co.za](mailto:info@ifuba.co.za)