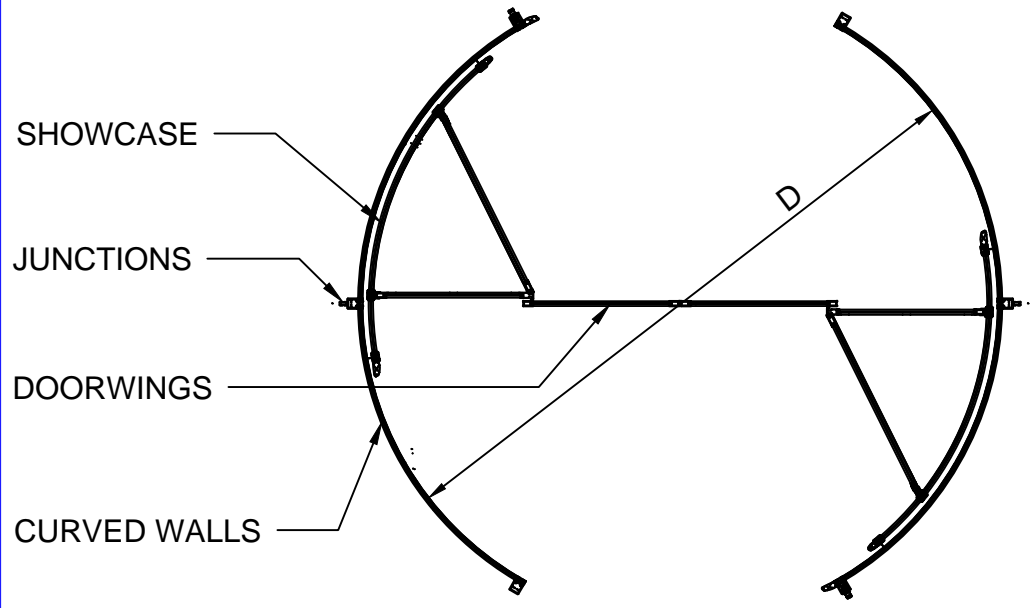
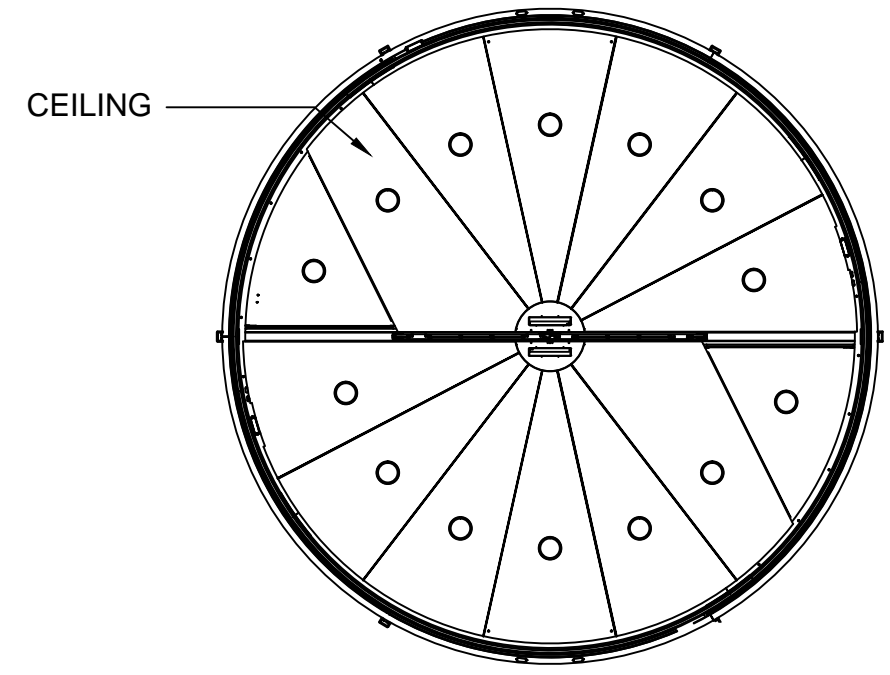


A-A
INSIDE



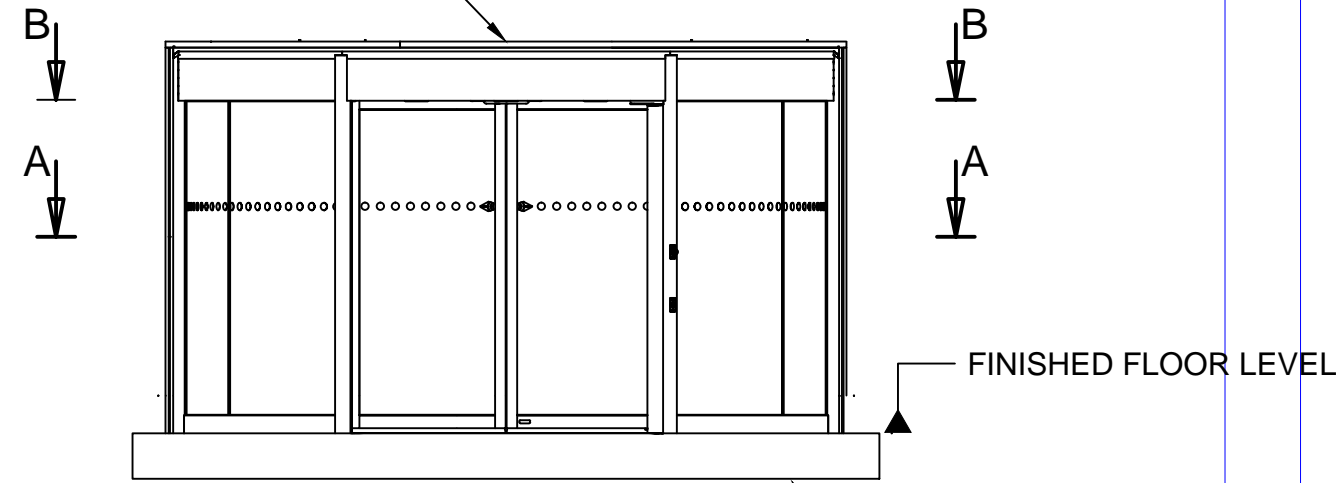
OUTSIDE

B-B
INSIDE



OUTSIDE

JUNCTIONS

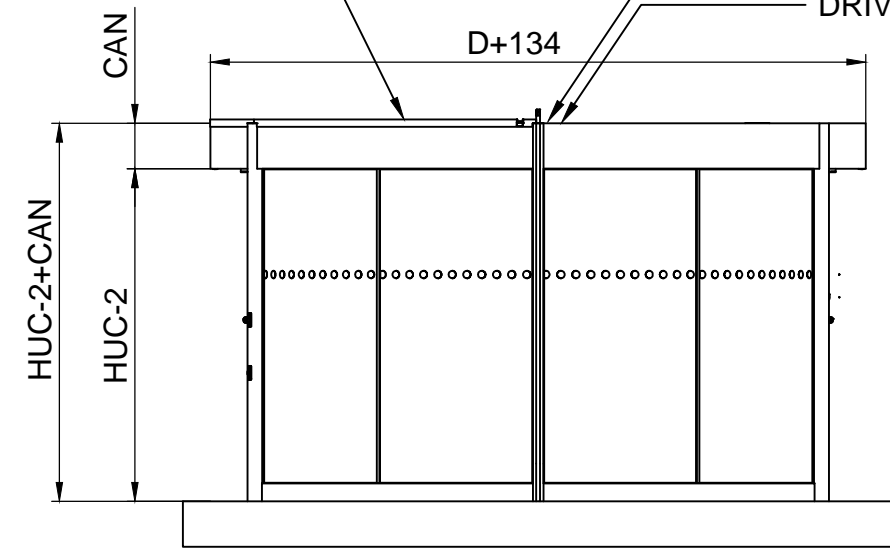


OUTSIDE VIEW

FLOOR

CANOPY COVER

CABLING DRIVE

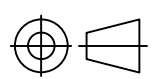


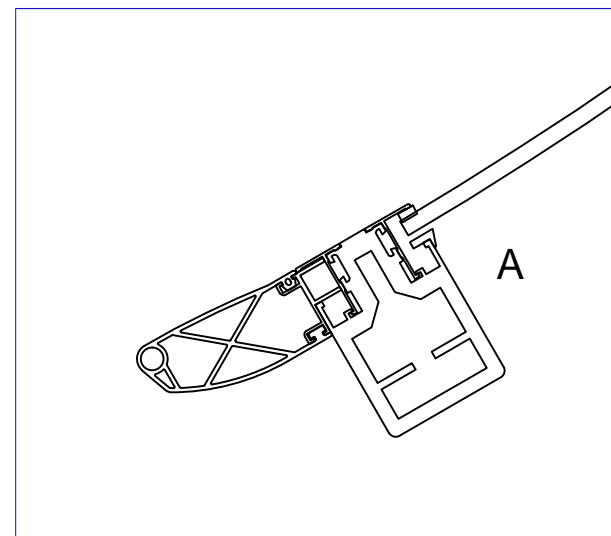
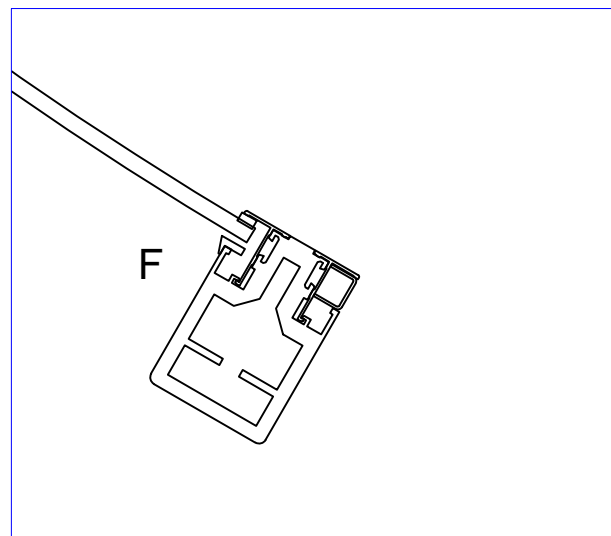
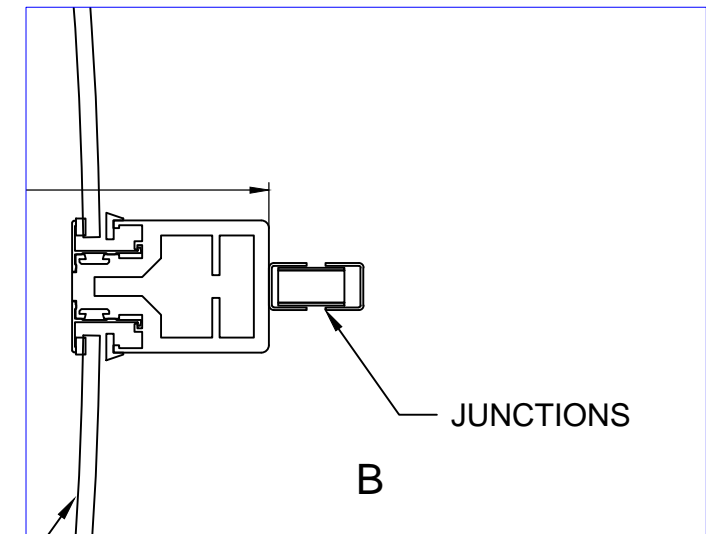
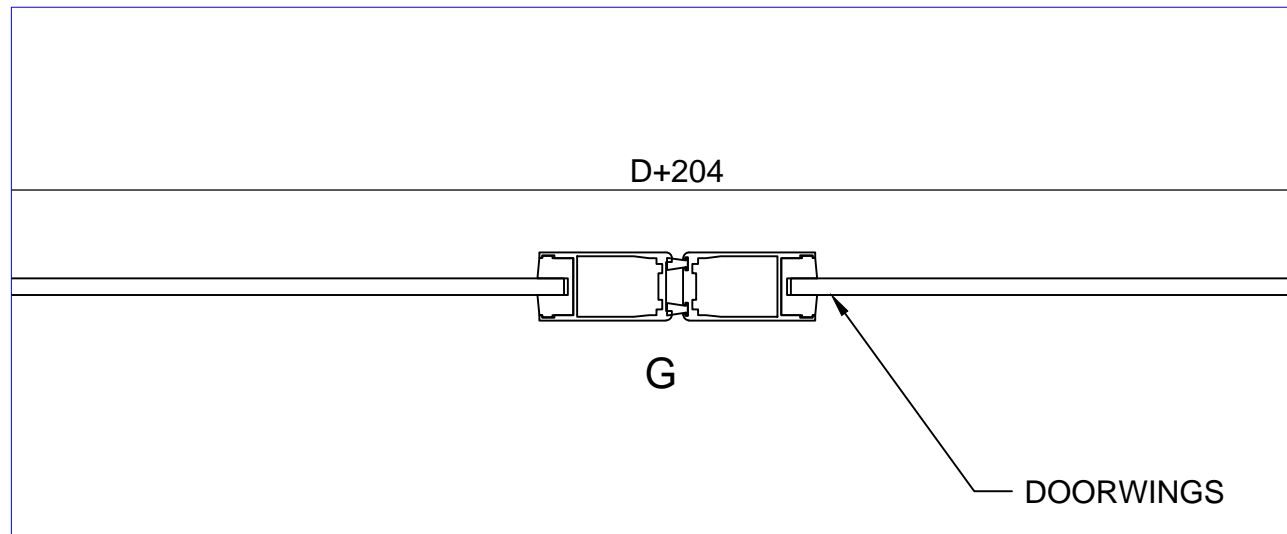
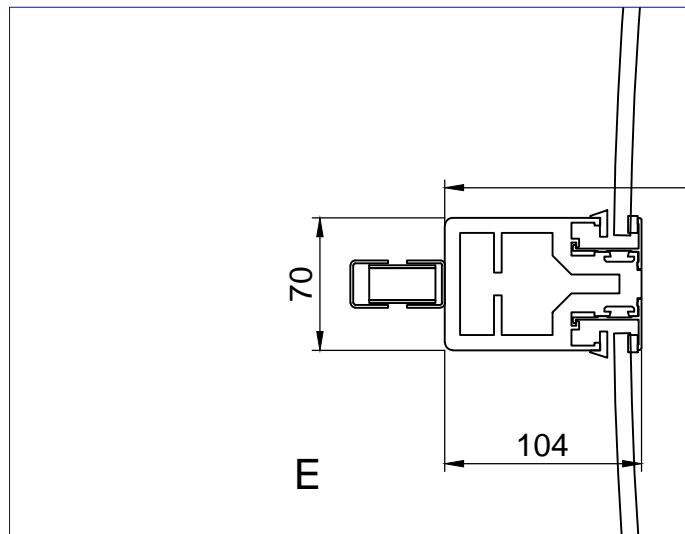
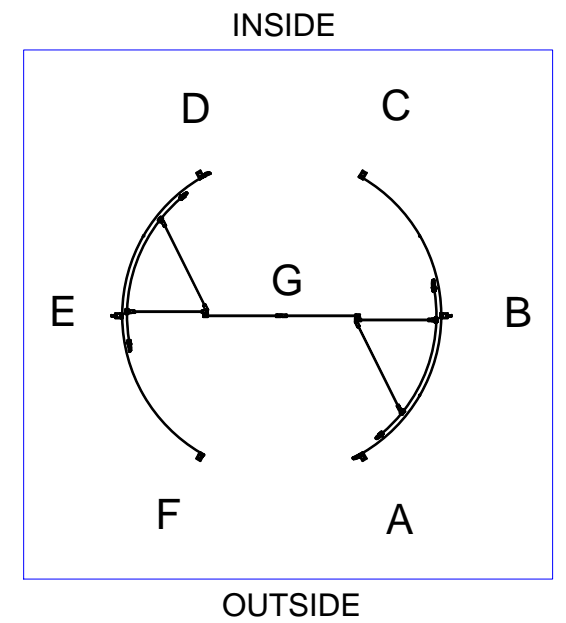
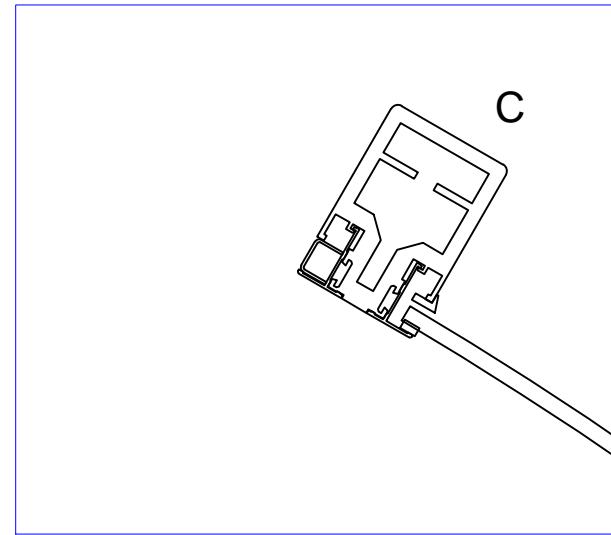
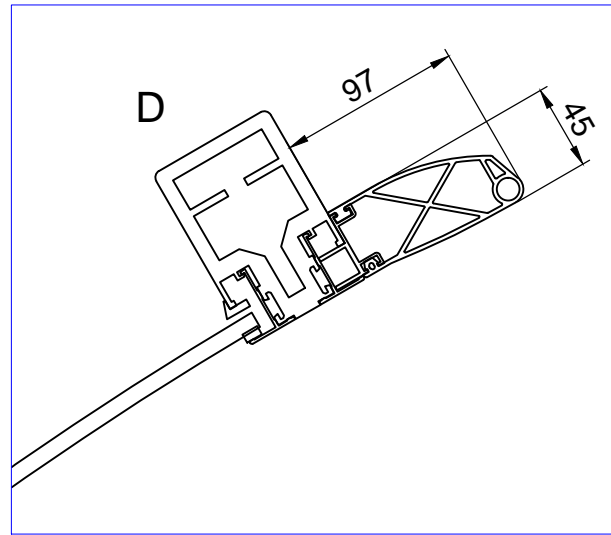
SIDE VIEW

FOR INFORMATION

Duotour

DRAWINGNUMBER DUOTOUR	REV. -	SHEET 1 / 6	SLIDING DOORS
DOORNUMBER DTAS2403	PROJECTNUMBER ---		
REV. BY MDG		22-1-2013	 © BOON EDAM WWW.BOONEDAM.COM
DESCR. ----			
DRAWN ---		26-4-2010	FORMAT A3
CHECKED ----			UNITS MM
STATUS RELEASED			SCALE 1:50

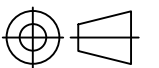


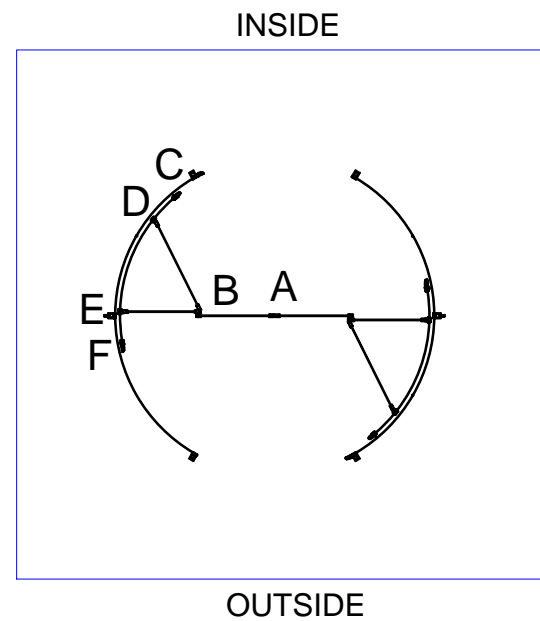
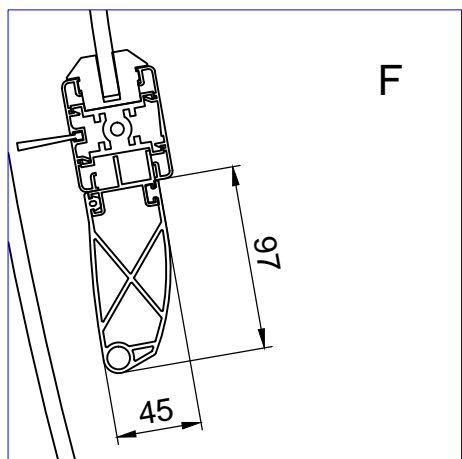
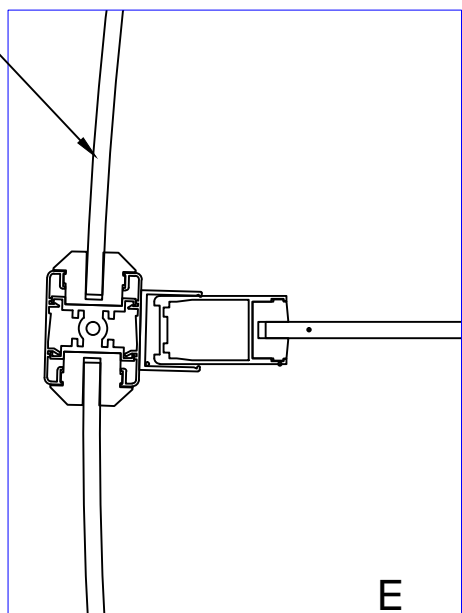
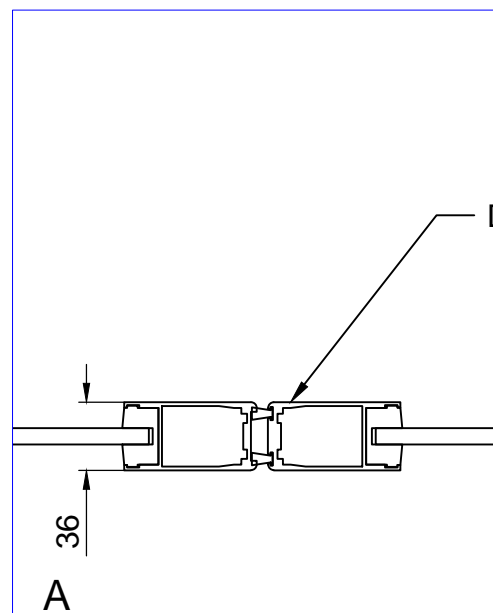
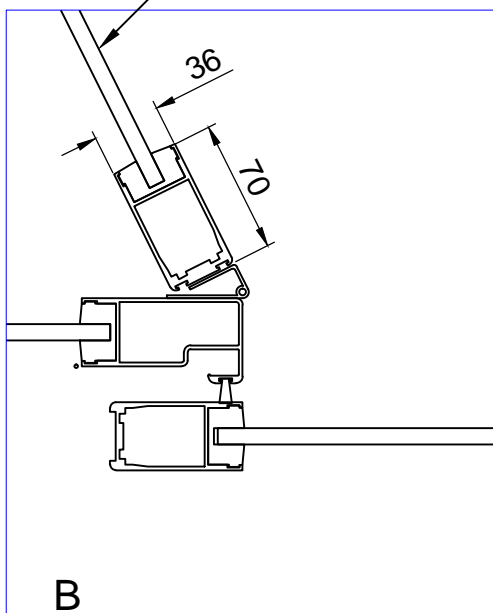
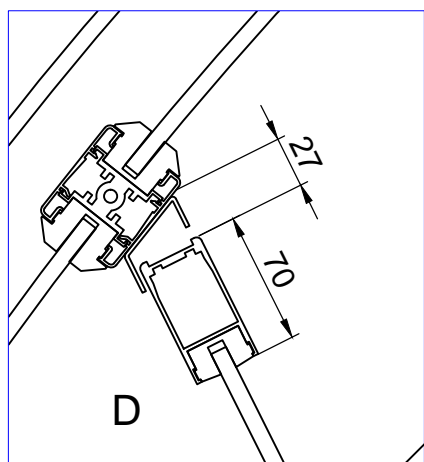
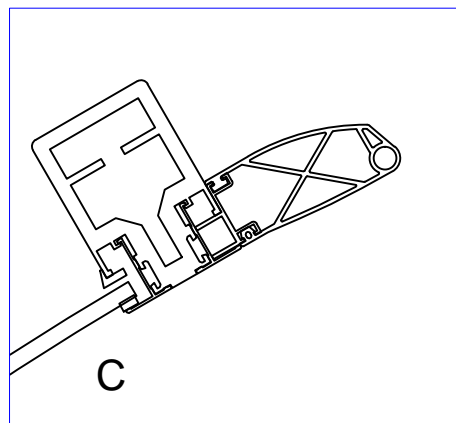


FOR INFORMATION			
Duotour			
DRAWINGNUMBER DUOTOUR	REV. -	SHEET 2 / 6	SLIDING DOORS
DOORNUMBER DTAS2403	PROJECTNUMBER ---		
REV. BY MDG	22-1-2013		
DESCR. ----			
DRAWN ---	26-4-2010		FORMAT A3
CHECKED ----			UNITS MM
STATUS RELEASED			SCALE 1:100 (1:4)

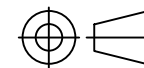


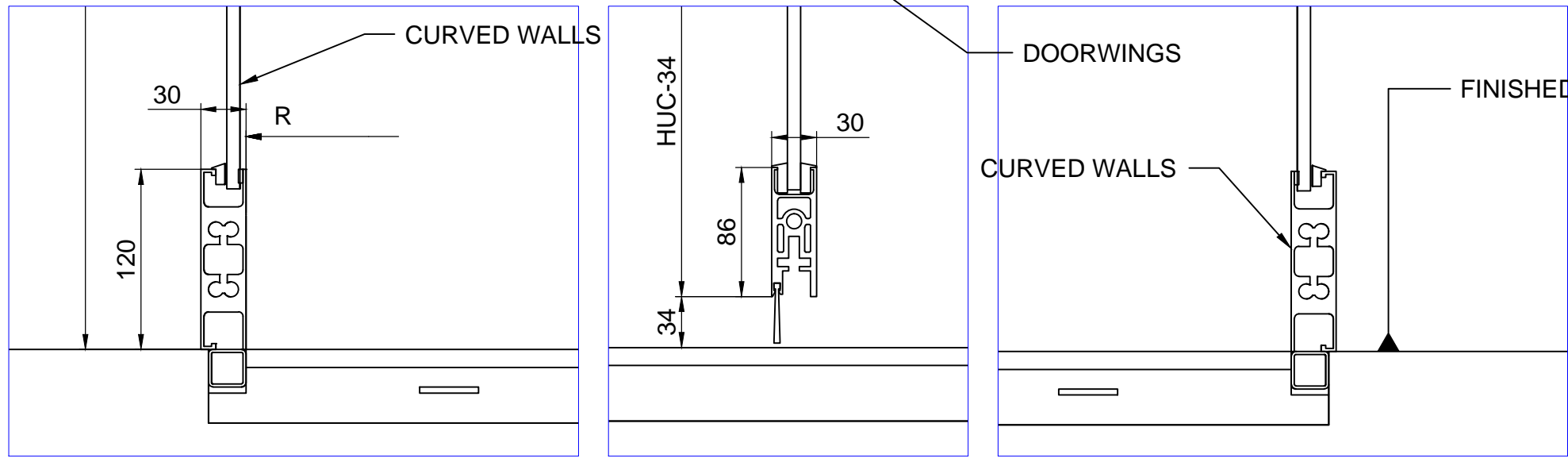
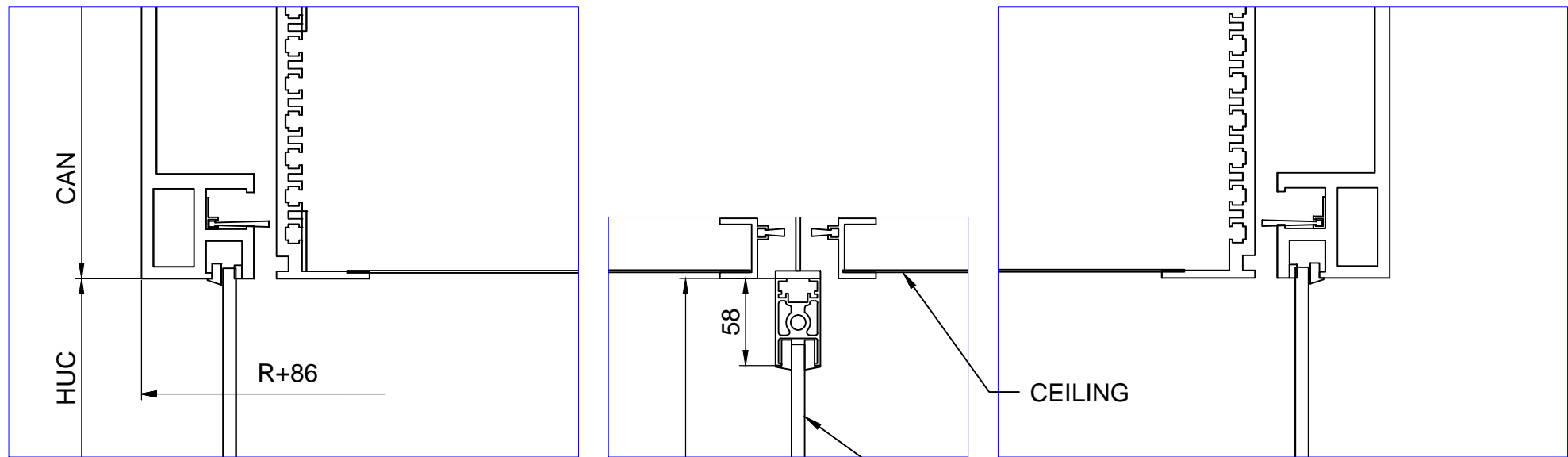
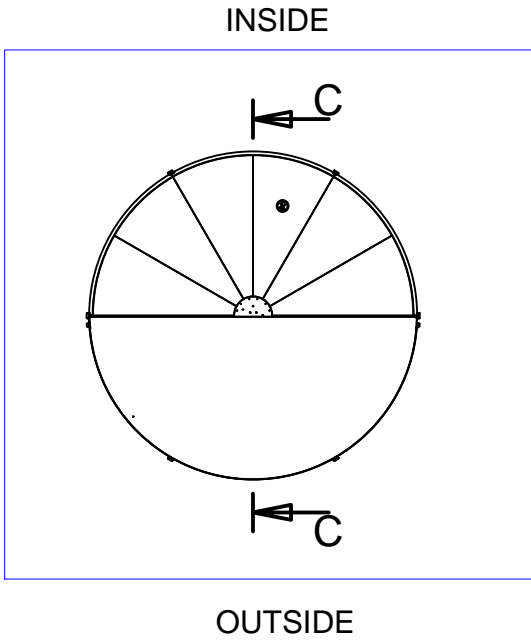
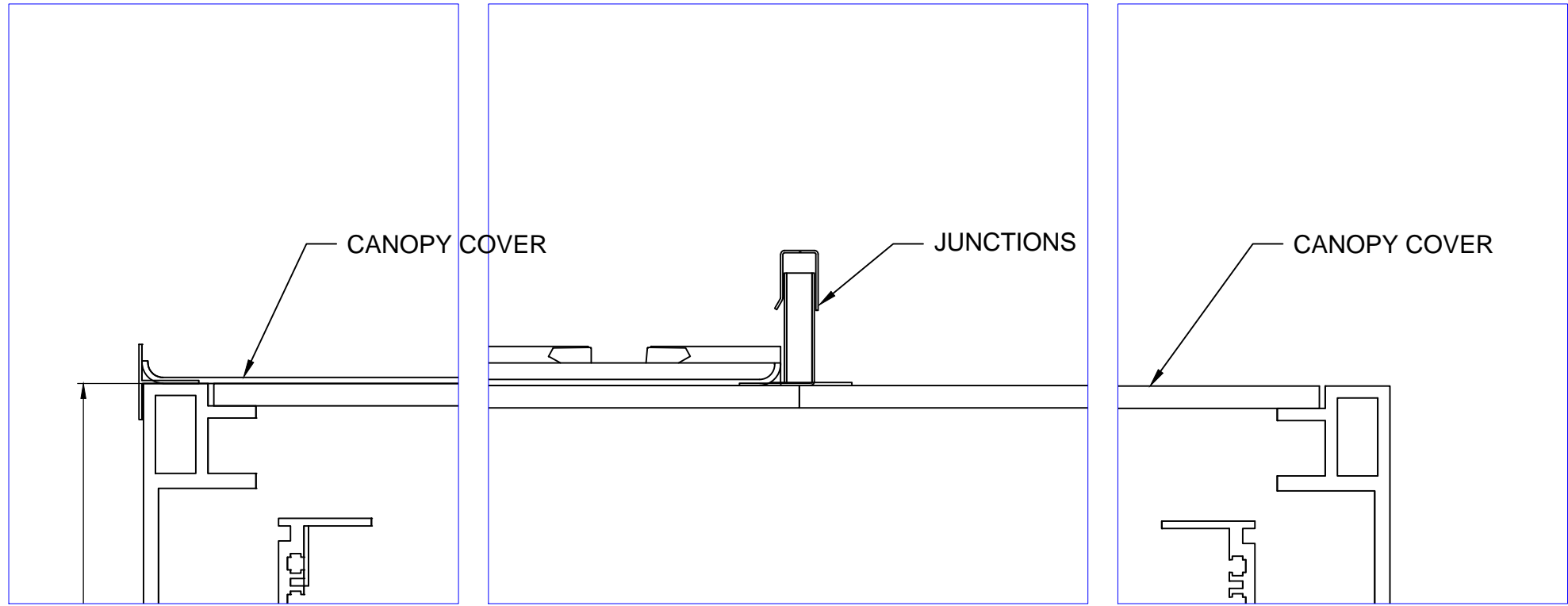
© BOON EDAM WWW.BOONEDAM.COM





FOR INFORMATION			
Duotour			
DRAWINGNUMBER DUOTOUR	REV. -	SHEET 3 / 6	SLIDING DOORS
DOORNUMBER DTAS2403	PROJECTNUMBER ---		
REV. BY MDG	22-1-2013		
DESCR. ----	© BOON EDAM WWW.BOONEDAM.COM		
DRAWN ---	26-4-2010		FORMAT A3
CHECKED ----			UNITS MM
STATUS RELEASED			SCALE 1:100 (1:4)





OUTSIDE

C-C

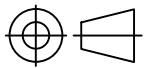
INSIDE

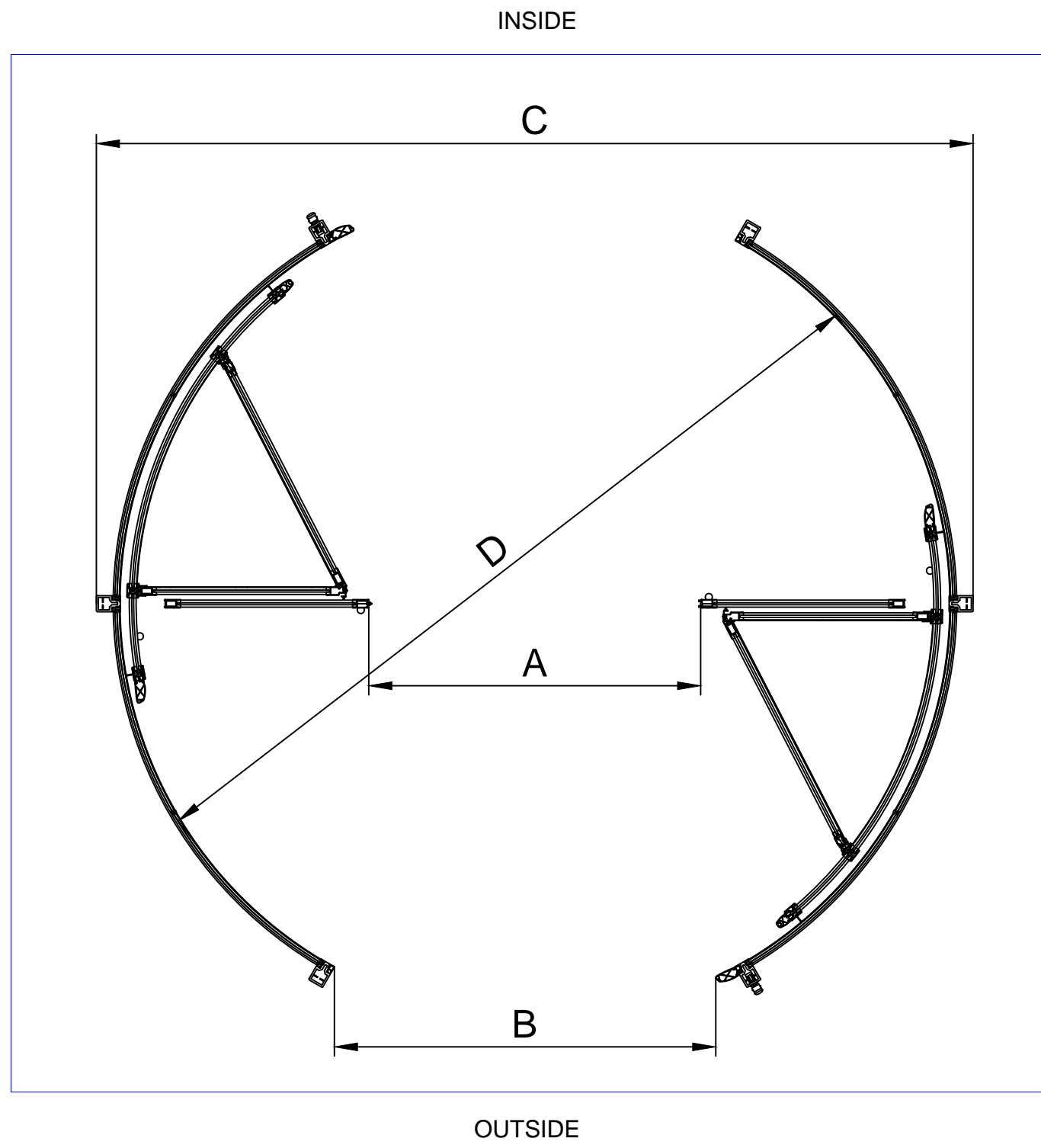
FOR INFORMATION

Duotour			
DRAWINGNUMBER DUOTOUR	REV. -	SHEET 4 / 6	SLIDING DOORS
DOORNUMBER DTAS2403	PROJECTNUMBER ---		
REV. BY MDG	22-1-2013		
DESCR. ----			
DRAWN ---	26-4-2010		FORMAT A3
CHECKED ----			UNITS MM
STATUS RELEASED			SCALE 1:100 (1:4)



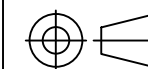
© BOON EDAM WWW.BOONEDAM.COM

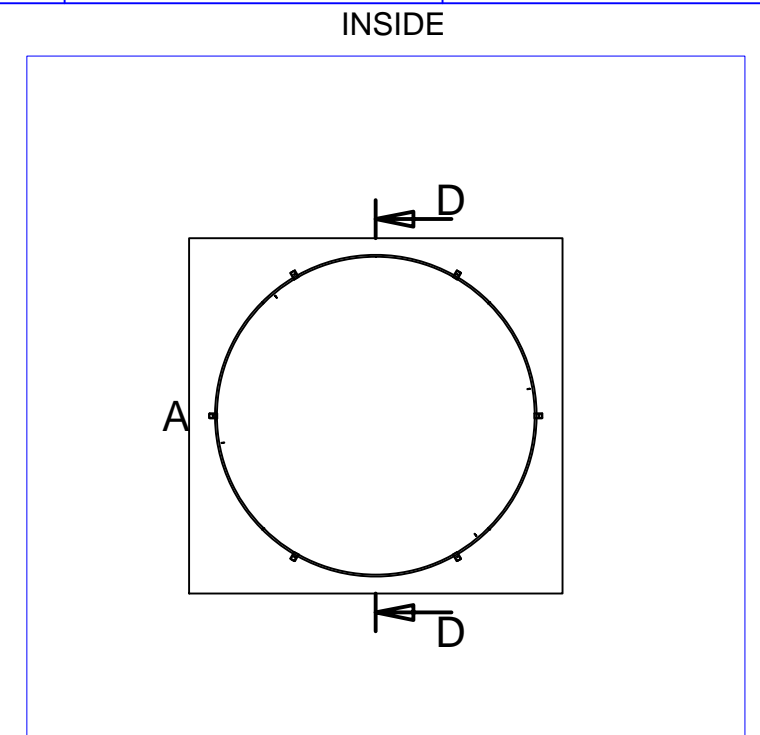
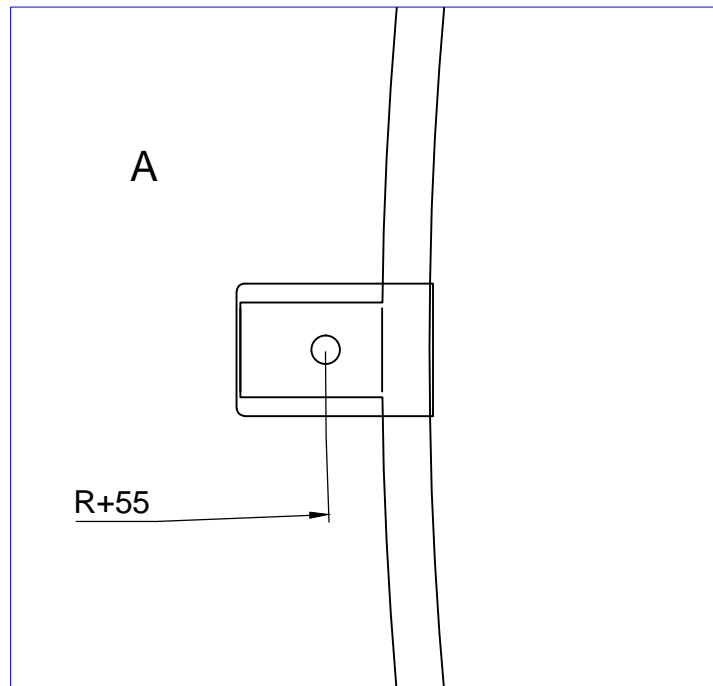




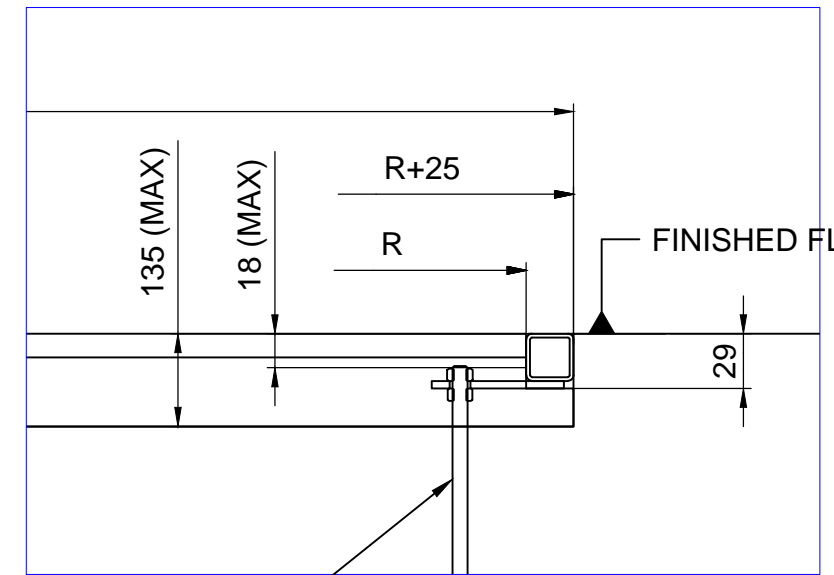
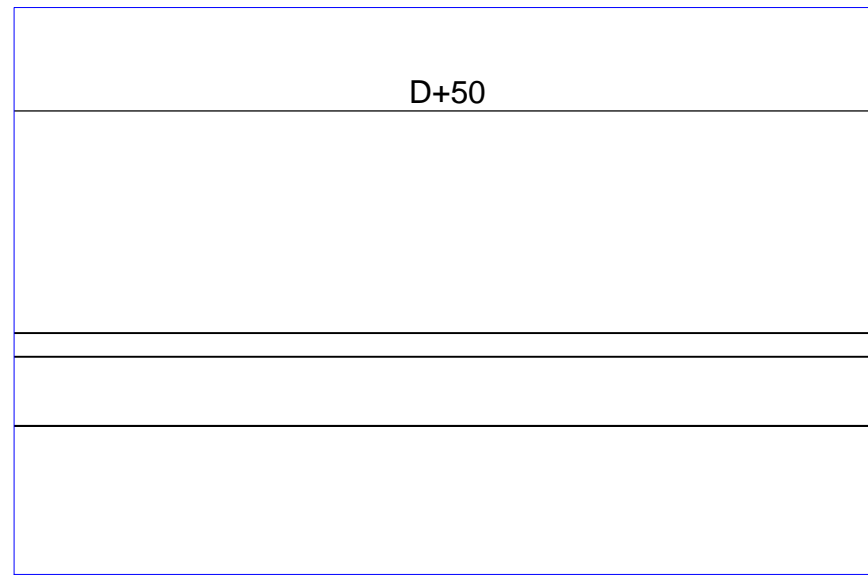
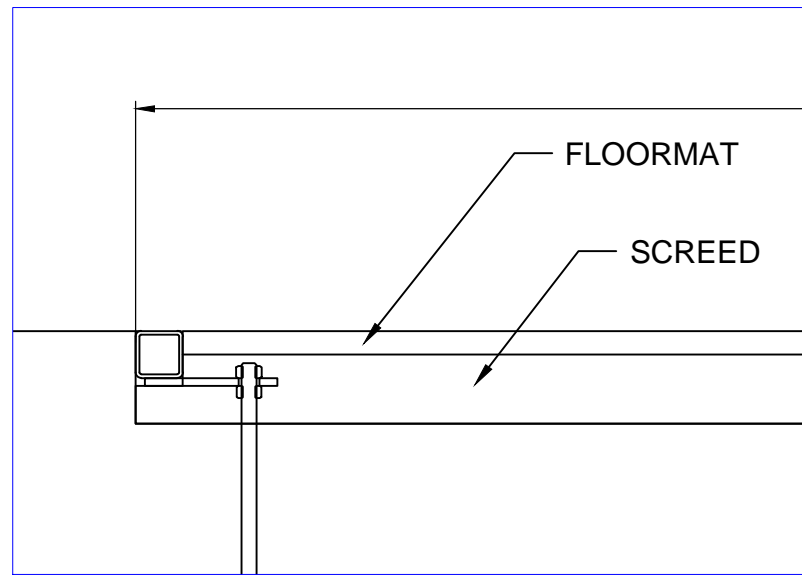
D	A	B	C
3600	1439	1654	3804
4200	1739	1954	4404
4800	2039	2254	5004
5400	2339	2554	5604

FOR INFORMATION			
Duotour			
DRAWINGNUMBER DUOTOUR	REV. -	SHEET 5 / 6	SLIDING DOORS
DOORNUMBER DTAS2403	PROJECTNUMBER ---		
REV. BY MDG	22-1-2013		
DESCR. ----	© BOON EDAM WWW.BOONEDAM.COM		
DRAWN ---	26-4-2010		FORMAT A3
CHECKED ----			UNITS MM
STATUS RELEASED			SCALE 1:25





INSIDE
OUTSIDE
POSITION FROM CURVED WALL STUDS




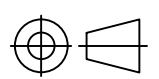
OUTSIDE

INSIDE

NOT BY BOON EDAM BV

D-D

FOR INFORMATION

Duotour			
DRAWINGNUMBER	REV.	SHEET	SLIDING DOORS
DUOTOUR	-	6 / 6	
DOORNUMBER	PROJECTNUMBER	 © BOON EDAM WWW.BOONEDAM.COM	
DTAS2403	---		
REV. BY	MDG	22-1-2013	FORMAT A3 UNITS MM SCALE 1:100 (1:4)
DESCR.	----		
DRAWN	---	26-4-2010	
CHECKED	----		
STATUS	RELEASED		